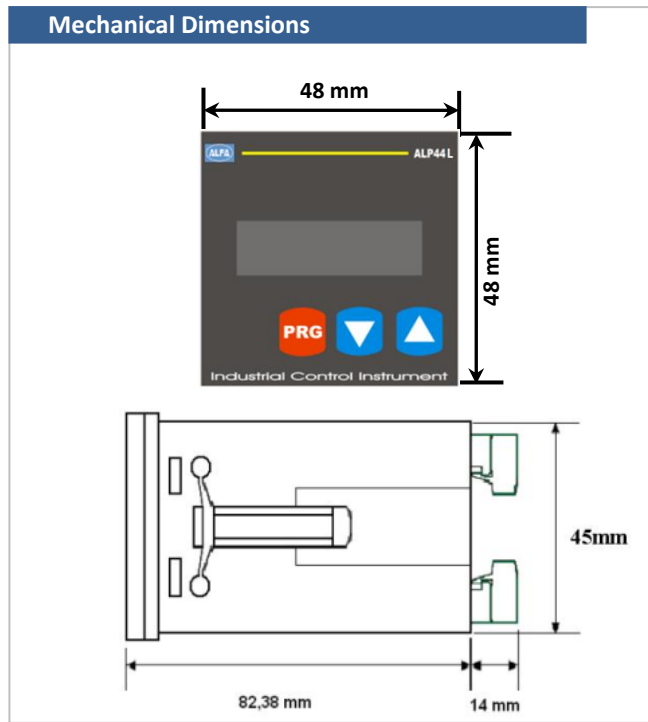




- 4 ms Sampling Time
- 4 Digits Display
- Measurement Between -999 to 9999
- 220 VAC Power Supply

ALP 44L series, 4 digits programmable measuring of displacement by means of linear or rotary potentiometers.



Technical Specifications

Power Supply	220 VAC 50 Hz
Power Consumption	2 VA
Sensor Power Supply	5 VDC 20 mA (Potentiometer)
Wiring	2,5 mm ² Socket Terminal
Dimensions	48 x 48 x 96 mm
Weight	200 grams
Relative Humidity	Up to 31 °C %80, above 31 °C linear decreasing and at 40°C %50
Storage Temperature	-10 to 60 °C
Operating Temperature	0 to 50 °C
Protection Class	IP60 Front Panel, IP20 Rear Panel

